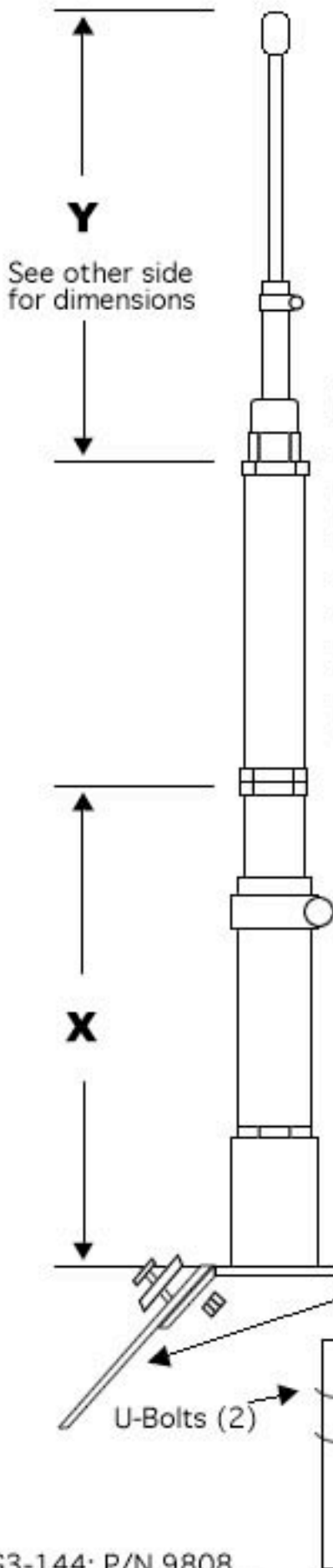


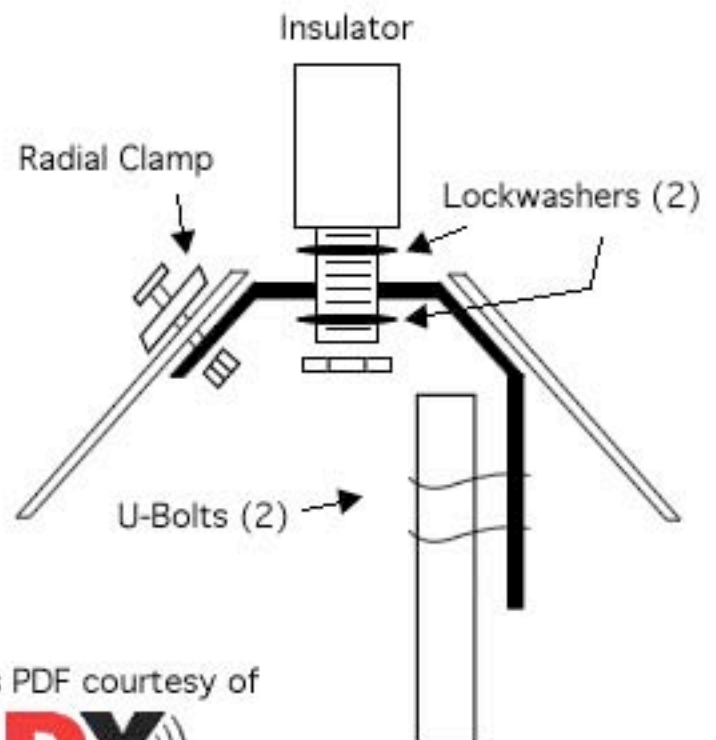
Installation Instructions
Model G3-144
144-174 MHz

VHF 3 dB Vertical Base
Station Antenna
Omni-Directional



Assemble the G3-144 as shown in fig. 1, making sure to orient the drain hole in the phasing coil toward the bottom of the antenna. Then install the 3 radials to the mount, as shown in fig. 1. Adjust the lengths of the antenna as specified in the tuning chart and using a reliable VSWR meter check the VSWR and adjust the lengths as needed. Install the U-bolts on the mount and using a 1" to 1 3/4" mast, mount the antenna in the desired location.

Tuning: Using the tuning chart, adjust the lengths of sections X and Y. Using a reliable VSWR bridge, check the VSWR at the frequency to be used. If the VSWR is intolerable, lengthen section "Y" 1/4", if this makes the VSWR worse then shorten section "Y" 1/4" shorter than length given in the tuning chart. Continue to do this until a satisfactory VSWR is obtained.



This PDF courtesy of

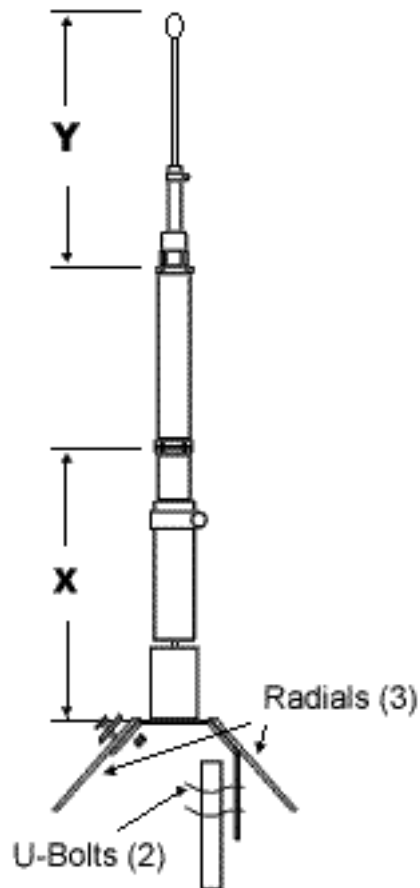


G3-144: P/N 9808
HDW Kit: P/N 9808-1

G3-144 Tuning Chart

Frequency: MHz

| | X | Y |
|-----|--------------------|---------------------|
| 144 | 23" (58.42 cm) | 42 5/8" (108.27 cm) |
| 146 | 22 1/2" (57.15 cm) | 41 5/8" (105.73 cm) |
| 148 | 22" (55.88 cm) | 40 1/2" (102.87 cm) |
| 150 | 21 5/8" (54.93 cm) | 39 5/8" (100.65 cm) |
| 152 | 21 1/8" (53.66 cm) | 38 5/8" (98.11 cm) |
| 154 | 20 5/8" (52.39 cm) | 37 5/8" (95.57 cm) |
| 156 | 20 3/8" (51.75 cm) | 36 3/4" (93.35 cm) |
| 158 | 19 7/8" (50.48 cm) | 35 7/8" (91.12 cm) |
| 160 | 19 3/4" (50.17 cm) | 34 7/8" (88.58 cm) |
| 162 | 19 3/8" (49.21 cm) | 34 3/8" (87.31 cm) |
| 164 | 19 1/8" (48.58 cm) | 33 5/8" (85.41 cm) |
| 166 | 19" (48.26 cm) | 32 7/8" (83.50 cm) |
| 168 | 18 7/8" (47.94 cm) | 32 1/2" (81.60 cm) |
| 170 | 18 1/4" (46.36 cm) | 31 1/2" (82.55 cm) |
| 172 | 17 7/8" (45.40 cm) | 31" (78.74 cm) |
| 174 | 17 3/8" (44.13 cm) | 30 5/8" (77.79 cm) |



G3-144: P/N 9808
 HDW Kit: P/N 9808-1

This PDF courtesy of

